



PELLET FIRES
CATALOG 2020

FINE
IS OUR PASSION

www.rikafires.co.nz

**HIGH-CLASS
FIRES**

*With
character*





YOUR RIKA BENEFITS

- + 5-year guarantee on the welded fire body
- + 10-year guaranteed availability of spare parts
- + Optimum safety and durability
- + Airtight and non-warping thanks to the extremely thick material
- + High environmental compatibility thanks to maximum efficiency
- + Timeless integrated design
- + Maximum economy and convenience from an innovation leader
- + Guaranteed production in Austria



**EXTREMELY
QUIET**



**TOUCH
SCREEN**



**WIFI
OPTION**



COMO

A CLASSIC
BEAUTY

The COMO subtly adapts to its environment thanks to the different casing and colour versions and yet has a unique and distinctive character



REVO

A NATURAL
UNDERSTATEMENT

A natural stone front conveys cosiness while the design is subtly understated. The REVO is a fire that reliably does its job without attracting any attention – a genuine everyday fire



Dimensions HxWxD (mm)	990x520x560
Heating Range (kW)	2.4-9
Fuel Consumption Range, (kg/hr)	0.6-2.2
Capacity Hopper (~kg)	~34
External Air Kit	Option

Dimensions HxWxD (mm)	1038x520x606
Heating Range (kW)	2.4-9
Fuel Consumption Range, (kg/hr)	0.6-2.2
Capacity Hopper (~kg)	~40
External Air Kit	Option



LIVO

**SIMPLY BEAUTIFUL,
SIMPLY DIFFERENT**

It's the little finesses which raise LIVO above other pellet fires: its pellet container is visually separated from the body; the individual components have creative definition. It is fire in a new form – with all of the RIKA advantages



DOMO

**HIGH-TECH
PERFECT IN FORM**

DOMO is as persuasive on the inside as it is on the outside: Behind its beautiful form, you can find all of our innovations such as the electronic door opening, the extra-large pellet container, the automatic tipping-grate ash-disposal and lots more. It is the “best of RIKA” – combined in one fire



Dimensions HxWxD (mm)	1015x481x513
Heating Range (kW)	2.5-6
Fuel Consumption Range, (kg/hr)	0.6-1.3
Capacity Hopper (-kg)	~20
External Air Kit	Option

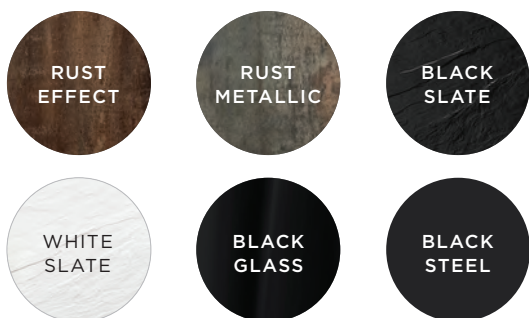
Dimensions HxWxD (mm)	1120x793x431
Heating Range (kW)	3-10
Fuel Consumption Range, (kg/hr)	0.7-2.3
Capacity Hopper (-kg)	~50
External Air Kit	Option



FILO

THE QUICK-CHANGE ARTIST I

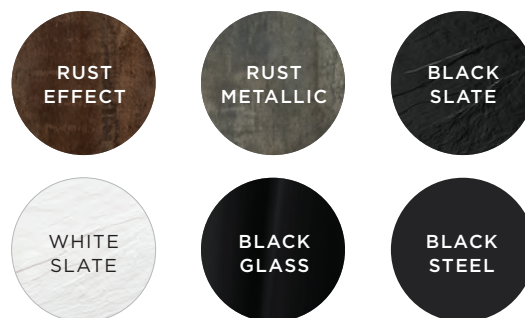
Black aluminium, white slate or black, glass or rust effects: The clear cubic shape of the FILO can be adapted to almost any interior design with a whole range of different side panels. Its flame display is extremely wide, steady and calm



SUMO

THE QUICK-CHANGE ARTIST II

With slightly more volume than the FILO and a decor glass front, the SUMO shares its quick changing qualities with a wide choice of side panels. The extra large pellet hopper and automatic tipping grate make long periods of operation possible between reloading



Dimensions HxWxD (mm)	1070x520x585
Heating Range (kW)	2.5-8
Fuel Consumption Range, (kg/hr)	0.6-1.9
Capacity Hopper (-kg)	-40
External Air Kit	Option

Dimensions HxWxD (mm)	1148x520x585
Heating Range (kW)	2.7-9
Fuel Consumption Range, (kg/hr)	0.7-2.2
Capacity Hopper (-kg)	-45
External Air Kit	Option



MIRO

COMPACT
WARMTH

Its technology is the very latest, its design is timeless and individual, its surfaces are easy to clean and its form very compact - this model is hard to beat. Customizable to suit your preferences, the MIRO fits perfectly into its natural environment: your living room. Like all pellet fires of the latest generation, this stove also features a user-friendly touch display

BLACK
SLATE



CORSO

A MINIMALIST DESIGN
HIGHLIGHT

The cylindrical shape with uncompromising circular design makes the CORSO pellet fire a highlight for design minimalists. The purist aesthetics are supported by the curved panel integrated flush into the door. Despite its slimline design, it has a large pellet hopper with 30 kg capacity

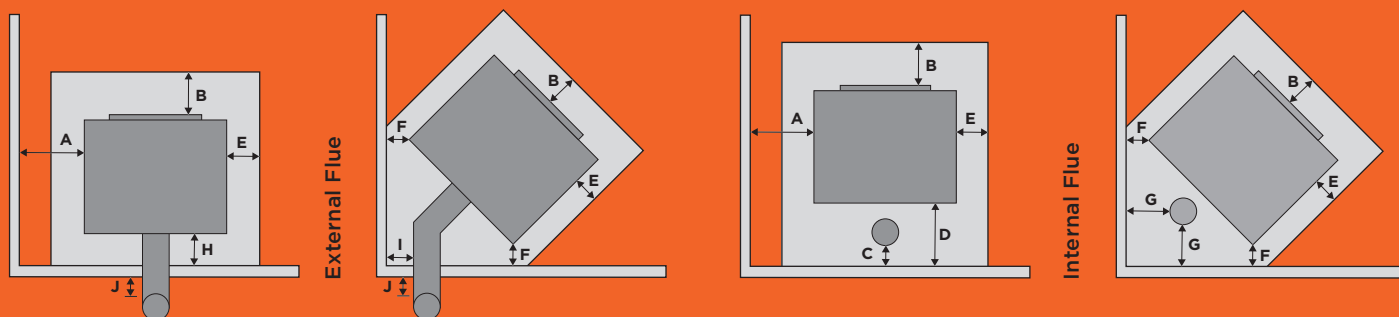
BLACK
STEEL



Dimensions HxWxD (mm)	1037x682x383
Heating Range (kW)	2.5-6.1
Fuel Consumption Range, (kg/hr)	0.6-1.4
Capacity Hopper (-kg)	~21
External Air Kit	Option

Dimensions HxWxD (mm)	1194x520x520
Heating Range (kW)	2.5-8
Fuel Consumption Range, (kg/hr)	0.6-1.9
Capacity Hopper (-kg)	~30
External Air Kit	Option

CLEARANCES



MIRO LIVO FILO COMO REVO SUMO CORSO DOMO

FLAT WALL INSTALL									
Side clearance (A), mm	100	100	100	200	200	100	100	100	100
Front hearth clearance (B), mm	150	150	150	150	150	150	150	150	150
Flue clearance (C) ¹ , mm	25	25	25	25	25	25	25	25	25
Rear clearance (D) ¹ , mm	~ 200	~ 200	~ 200	~ 200	~ 200	~ 200	~ 200	~ 200	~ 200
Side hearth clearance (E), mm	0	0	0	0	0	0	0	0	0
CORNER INSTALL									
Side clearance (F), mm	100	100	100	200	200	100	100	100	100
Flue clearance (G) ¹ , mm	25	25	25	25	25	25	25	25	25
EXTERNAL FLUE									
Rear clearance (H), mm	100	100	100	200	200	100	100	100	100
Side clearance (I) ¹ , mm	25	25	25	25	25	25	25	25	25
Outside flue clearance (J) ¹ , mm	25	25	25	25	25	25	25	25	25

¹ From shielded flue. **NOTE:** We recommend 200mm rear clearance and 300mm side clearance to allow for servicing access. We recommend required hearth dimensions are confirmed by your installer.

	MIRO	LIVO	FILO	COMO	REVO	SUMO	CORSO	DOMO	
TECHNICAL DATA									
Heating range, kW	2.5-6.1	2.5-6	2.5-8	2.4-9	2.4-9	2.7-9	2.5-8	3-10	
Fuel consumption range, kg/hr	0.6-1.4	0.6-1.3	0.6-1.9	0.6-2.2	0.6-2.2	0.7-2.2	0.6-1.9	0.7-2.3	
Hopper size, kg	~ 21	~ 20	~ 40	~ 34	~ 40	~ 45	~ 30	~ 50	
Burn time - low, hr	~ 35	~ 33	~ 66	~ 56	~ 66	~ 64	~ 50	~ 71	
Burn time - high, hr	~ 15	~ 15	~ 21	~ 15	~ 18	~ 20	~ 15	~ 21	
Average electrical input, W	20	20	20	20	20	20	20	20	
Ignition electrical input, W	150	150	150	150	150	150	150	150	
Efficiency (nett), %	88	86	88	87	87	84	86	89	
Emissions, g/kg	0.37	0.4	0.3	0.2	0.2	0.3	0.3	0.3	
Fresh air requirement, m ³ /hr	20	20	20	20	20	20	20	20	

VISIT OUR SHOWROOM

6 Hillview Road,
Christchurch 8011
Phone: +64 3 353 0852

OPENING HOURS

Mon. to Fri. 9am to 5pm
Sat. 9am to noon

www.eenergy.co.nz

Eenergy
The Pellet Fire Shop

YOUR FIRE
IS GOING

Online



2020