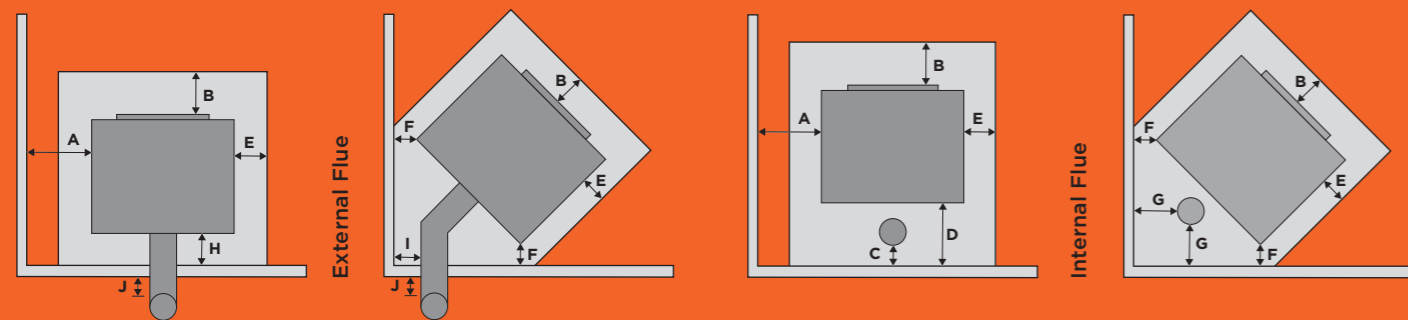


CLEARANCES



MEMO LIVO FILO COMO REVO SUMO CORSO DOMO

FLAT WALL INSTALL

Side clearance (A), mm	200	100	100	200	200	100	100	100
Front hearth clearance (B), mm	150	150	150	150	150	150	150	150
Flue clearance (C) ¹ , mm	50	50	50	50	50	50	50	50
Rear clearance (D) ¹ , mm	~ 200	~ 200	~ 200	~ 200	~ 200	~ 200	~ 200	~ 200
Side hearth clearance (E), mm	0	0	0	0	0	0	0	0

CORNER INSTALL

Side clearance (F), mm	200	100	100	200	200	100	100	100
Flue clearance (G) ¹ , mm	50	50	50	50	50	50	50	50

EXTERNAL FLUE

Rear clearance (H), mm	200	100	100	200	200	100	100	100
Side clearance (I) ¹ , mm	50	50	50	50	50	50	50	50
Outside flue clearance (J) ¹ , mm	25	25	25	25	25	25	25	25

¹ From shielded flue. **NOTE:** We recommend 200mm rear clearance and 300mm side clearance to allow for servicing access. We recommend required hearth dimensions are confirmed by your installer.

MEMO LIVO FILO COMO REVO SUMO CORSO DOMO

TECHNICAL DATA

Heating range, kW	2.4-9	2.5-6	2.5-8	2.4-9	2.4-9	2.7-9	2.5-8	3-10
Fuel consumption range, kg/hr	0.6-2.2	0.6-1.3	0.6-1.9	0.6-2.2	0.6-2.2	0.7-2.2	0.6-1.9	0.7-2.3
Hopper size, kg	~ 21	~ 20	~ 40	~ 34	~ 40	~ 45	~ 30	~ 50
Burn time - low, hr	~ 35	~ 33	~ 66	~ 56	~ 66	~ 64	~ 50	~ 71
Burn time - high, hr	~ 10	~ 15	~ 21	~ 15	~ 18	~ 20	~ 15	~ 21
Average electrical input, W	20	20	20	20	20	20	20	20
Ignition electrical input, W	150	150	150	150	150	150	150	150
Efficiency (nett), %	85	86	88	87	87	84	86	89
Emissions, g/kg	0.3	0.4	0.3	0.2	0.2	0.3	0.3	0.3
Fresh air requirement, m ³ /hr	20	20	20	20	20	20	20	20



PELLET FIRES
CATALOG 2019

FINE
IS OUR PASSION

www.rikafires.co.nz

HIGH-CLASS FIRES

With character



MEMO

SIMPLE AND DOWN TO EARTH

The small MEMO pellet fire with its compact form allows you to enjoy the cosy warmth of a pellet fire even in a relatively small living room



CORSO

A MINIMALIST DESIGN HIGHLIGHT

The cylindrical shape with uncompromising circular design makes the CORSO pellet fire a highlight for design minimalists. The purist aesthetics are supported by the curved panel integrated flush into the door. Despite its slimline design, it has a large pellet hopper with 30 kg capacity



Dimensions HxWxD (mm)	978x490x544
Heating Range (kW)	2.4-9
Fuel Consumption Range, (kg/hr)	0.6-2.2
Capacity Hopper (~kg)	~21
External Air Kit	Option

Dimensions HxWxD (mm)	1194x520x520
Heating Range (kW)	2.5-8
Fuel Consumption Range, (kg/hr)	0.6-1.9
Capacity Hopper (~kg)	~30
External Air Kit	Option



FILO | THE QUICK-CHANGE ARTIST I

Black aluminium, white slate or black, glass or rust effects: The clear cubic shape of the FILO can be adapted to almost any interior design with a whole range of different side panels. Its flame display is extremely wide, steady and calm



Dimensions HxWxD (mm)	1070x520x585
Heating Range (kW)	2.5-8
Fuel Consumption Range, (kg/hr)	0.6-1.9
Capacity Hopper (~kg)	~40
External Air Kit	Option



SUMO | THE QUICK-CHANGE ARTIST II

With slightly more volume than the FILO and a decor glass front, the SUMO shares its quick changing qualities with a wide choice of side panels. The extra large pellet hopper and automatic tipping grate make long periods of operation possible between reloading



Dimensions HxWxD (mm)	1148x520x585
Heating Range (kW)	2.7-9
Fuel Consumption Range, (kg/hr)	0.7-2.2
Capacity Hopper (~kg)	~45
External Air Kit	Option

YOUR RIKA BENEFITS

- + 5-year guarantee on the welded fire body
- + 10-year guaranteed availability of spare parts
- + Optimum safety and durability
- + Airtight and non-warping thanks to the extremely thick material
- + High environmental compatibility thanks to maximum efficiency
- + Timeless integrated design
- + Maximum economy and convenience from an innovation leader
- + Guaranteed production in Austria





COMO | A CLASSIC BEAUTY

COMO subtly adapts to its environment thanks to the different casing and colour versions and yet has a unique and distinctive character



Dimensions HxWxD (mm)	990x520x560
Heating Range (kW)	2.4-9
Fuel Consumption Range, (kg/hr)	0.6-2.2
Capacity Hopper (~kg)	~34
External Air Kit	Option
Convection Fan	Option

REVO | A NATURAL UNDERSTATEMENT

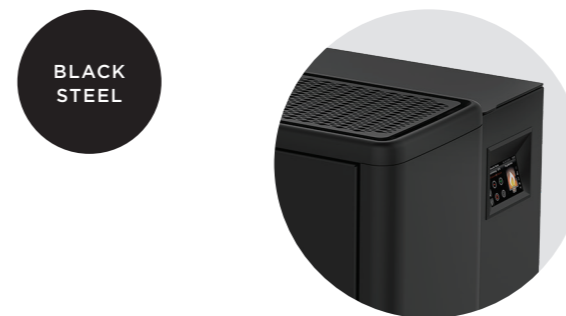
A natural stone front conveys cosiness while the design is subtly understated. The REVO is a fire that reliably does its job without attracting any attention – a genuine everyday fire



Dimensions HxWxD (mm)	1038x520x606
Heating Range (kW)	2.4-9
Fuel Consumption Range, (kg/hr)	0.6-2.2
Capacity Hopper (~kg)	~40
External Air Kit	Option
Convection Fan	Option

LIVO | SIMPLY BEAUTIFUL, SIMPLY DIFFERENT

It's the little finesses which raise LIVO above other pellet fires: its pellet container is visually separated from the body; the individual components have creative definition. It is fire in a new form – with all of the RIKA advantages



Dimensions HxWxD (mm)	1015x481x513
Heating Range (kW)	2.5-6
Fuel Consumption Range, (kg/hr)	0.6-1.3
Capacity Hopper (~kg)	~20
External Air Kit	Option

DOMO | HIGH-TECH PERFECT IN FORM

DOMO is as persuasive on the inside as it is on the outside: Behind its beautiful form, you can find all of our innovations such as the electronic door opening, the extra-large pellet container, the automatic tipping-grate ash-disposal and lots more. It is the “best of RIKA” – combined in one fire



PLEASE NOTE:
Domo Sandstone is out of stock.
New stock arriving late 2019.

We carry limited quantities of all colours of the Domo pellet fire.

Colour availability is subject to confirmation at the time of order.

Dimensions HxWxD (mm)	1120x793x431
Heating Range (kW)	3-10
Fuel Consumption Range, (kg/hr)	0.7-2.3
Capacity Hopper (~kg)	~50
External Air Kit	Option